



STI

Aditamentos cross-platform de alta calidad
High quality cross-platform abutments

Compatibilidad, precisión y ajuste en un extenso portfolio de aditamentos dentales, interfases, análogos y tornillos.

Compatibility, precision and fit in an extensive portfolio of dental accessories, Titanium bases, analogues and screws.

phibo[®]



STI

Standard to individualized

Índice *Index*

Phibo® STI: aditamentos dentales compatibles de alta calidad <i>STI by Phibo®: high quality compatible dental components</i>	pág. 3 <i>p. 3</i>
Tomillos de clínica <i>Clinical Screws</i>	pág. 5 <i>p. 5</i>
Atornilladores <i>Screw Drivers</i>	pág. 11 <i>p. 11</i>
Interfases en Titanio dorado <i>Golden Titanium bases</i>	pág. 13 <i>p. 13</i>
Análogos de laboratorio <i>Laboratory analogues</i>	pág. 19 <i>p. 19</i>
Análogos Sinergia <i>Analogues Sinergia</i>	pág. 21 <i>p. 21</i>



Phibo® STI: aditamentos dentales compatibles de alta calidad

STI by Phibo® es la nueva línea de producto de Phibo® que ofrece aditamentos dentales compatibles con las principales marcas, con una calidad y ajuste inigualables.

Nuestra larga experiencia en la producción de sistemas de implantes y prótesis personalizadas nos permite ofrecer estos productos con la garantía de Phibo®.

STI by Phibo®: dental components compatible high quality

STI by Phibo® is the new product line of Phibo® that offers dental accessories compatible with the main brands, with an unparalleled quality and fit.

Our long experience in the production of implant systems and customized prostheses allows us to offer these products with the Phibo® guarantee.

phibo^φ



Tornillos de clínica

Clinical Screws



Tornillos de clínica *Clinical Screws*

Marca Brand	Referencia Item number	Descripción Description	Cabeza del tornillo Screw head
PHIBO	019.3000	Tornillo para ProUnic Plus TSA® TSA® Advance S3 <i>Screw for ProUnic Plus TSA® TSA® Advance S3</i>	1,25 mm hexagonal
PHIBO	019.4000	Tornillo para ProUnic Plus TSA® TSA® Advance S4 <i>Screw for ProUnic Plus TSA® TSA® Advance S4</i>	1,25 mm hexagonal
PHIBO	019.5000	Tornillo para ProUnic Plus TSA® TSA® Advance S5 <i>Screw for ProUnic Plus TSA® TSA® Advance S5</i>	1,25 mm hexagonal
PHIBO	045.3000	Tornillo para ProUnic Estético TSA® TSA® Advance S3 <i>Screw for ProUnic aesthetic TSA® TSA® Advance S3</i>	1,25 mm hexagonal
PHIBO	045.4000	Tornillo para ProUnic Estético TSA® TSA® Advance S4 <i>Screw for ProUnic aesthetic TSA® TSA® Advance S4</i>	1,25 mm hexagonal
PHIBO	046.3000	Tornillo para ProUnic Estético Rotatorio TSA® TSA® Advance S3 <i>Screw for ProUnic aesthetic rotational TSA® TSA® Advance S3</i>	1,25 mm hexagonal
PHIBO	046.4000	Tornillo para ProUnic Estético Rotatorio TSA® TSA® Advance S4 <i>Screw for ProUnic aesthetic rotational TSA® TSA® Advance S4</i>	1,25 mm hexagonal
PHIBO	055.3000	Tornillo para ProUnic Advance TSA® TSA® Advance S3 <i>Screw for ProUnic Advance TSA® TSA® Advance S3</i>	1,25 mm hexagonal
PHIBO	055.4000	Tornillo para ProUnic Advance TSA® TSA® Advance S4 <i>Screw for ProUnic Advance TSA® TSA® Advance S4</i>	1,25 mm hexagonal
PHIBO	055.5000	Tornillo para ProUnic Advance TSA® TSA® Advance S5 <i>Screw for ProUnic Advance TSA® TSA® Advance S5</i>	1,25 mm hexagonal
PHIBO	AUR NP 05.1	Tornillo para Pilar Aurea Advance Narrow Platform <i>Screw for Aurea Advance abutment Narrow Platform</i>	1,25 mm hexagonal
PHIBO	AUR NP 05.2	Tornillo para Pilar Aurea Advance Narrow Platform altura 1 mm <i>Screw for Aurea Advance abutment Narrow Platform 1 mm</i>	1,25 mm hexagonal
PHIBO	AUR NP 05.3	Tornillo para Pilar Aurea Advance Narrow Platform altura 2 mm <i>Screw for Aurea Advance abutment Narrow Platform 2 mm</i>	1,25 mm hexagonal
PHIBO	AUR NP 05.4	Tornillo para Pilar Aurea Advance Narrow Platform altura 3 mm <i>Screw for Aurea Advance abutment Narrow Platform 3 mm</i>	1,25 mm hexagonal
PHIBO	AUR NP 05.5	Tornillo para Pilar Aurea Advance Narrow Platform altura 4 mm <i>Screw for Aurea Advance abutment Narrow Platform 4 mm</i>	1,25 mm hexagonal
PHIBO	AUR NP 15.0	Tornillo para Aurea Narrow Platform <i>Screw for Aurea Narrow Platform</i>	1,25 mm hexagonal
PHIBO	AUR RP 05.1	Tornillo para Pilar Aurea Advance Regular Platform <i>Screw for Aurea Advance abutment Regular Platform</i>	1,25 mm hexagonal
PHIBO	AUR RP 05.2	Tornillo para Pilar Aurea Advance Regular Platform altura 1 mm <i>Screw for Aurea Advance abutment Regular Platform 1 mm</i>	1,25 mm hexagonal
PHIBO	AUR RP 05.3	Tornillo para Pilar Aurea Advance Regular Platform altura 2 mm <i>Screw for Aurea Advance abutment Regular Platform 2 mm</i>	1,25 mm hexagonal
PHIBO	AUR RP 05.4	Tornillo para Pilar Aurea Advance Regular Platform altura 3 mm <i>Screw for Aurea Advance abutment Regular Platform 3 mm</i>	1,25 mm hexagonal
PHIBO	AUR RP 05.5	Tornillo para Pilar Aurea Advance Regular Platform altura 4 mm <i>Screw for Aurea Advance abutment Regular Platform 4 mm</i>	1,25 mm hexagonal

Tornillos de clínica *Clinical Screws*

Marca Brand	Referencia Item number	Descripción Description	Cabeza del tornillo Screw head
PHIBO	AUR RP 15.0	Tornillo para Aurea Regular Platform <i>Screw for Aurea Regular Platform</i>	1,25 mm hexagonal
PHIBO	AUR WP 05.1	Tornillo para Pilar Aurea Advance Wide Platform <i>Screw for Aurea Advance abutment Wide Platform</i>	1,25 mm hexagonal
PHIBO	AUR WP 05.2	Tornillo para Pilar Aurea Advance Wide Platform altura 1 mm <i>Screw for Aurea Advance abutment Wide Platform 1 mm</i>	1,25 mm hexagonal
PHIBO	AUR WP 05.3	Tornillo para Pilar Aurea Advance Wide Platform altura 2 mm <i>Screw for Aurea Advance abutment Wide Platform 2 mm</i>	1,25 mm hexagonal
PHIBO	AUR WP 05.4	Tornillo para Pilar Aurea Advance Wide Platform altura 3 mm <i>Screw for Aurea Advance abutment Wide Platform 3 mm</i>	1,25 mm hexagonal
PHIBO	AUR WP 05.5	Tornillo para Pilar Aurea Advance Wide Platform altura 4 mm <i>Screw for Aurea Advance abutment Wide Platform 4 mm</i>	1,25 mm hexagonal
PHIBO	AUR WP 15.0	Tornillo para Aurea Wide Platform <i>Screw for Aurea Wide Platform</i>	1,25 mm hexagonal
PHIBO	EVO NW 15.0*	Tornillo para Pilar Aurea Evo Narrow/Regular/Wide Platform <i>Screw for Aurea Evo abutment Narrow/Regular/Wide Platform</i>	1,25 mm hexagonal
PHIBO	H19.2000	Tornillo para TSH [®] BNT [®] S2 <i>Screw for TSH[®] BNT[®] S2</i>	1,25 mm hexagonal
PHIBO	H19.3450	Tornillo para TSH [®] BNT [®] S3 S4 S5 <i>Screw for TSH[®] BNT[®] S3 S4 S5</i>	1,25 mm hexagonal
PHIBO	H25.2345	Tornillo Corto para Conhex TSH [®] BNT [®] S2 S3 S4 S5 <i>Screw for Conhex TSH[®] BNT[®] S2 S3 S4 S5 (short)</i>	1,25 mm hexagonal
PHIBO	H26.2345	Tornillo para Conhex TSH [®] BNT [®] S2 S3 S4 S5 <i>Screw for Conhex TSH[®] BNT[®] S2 S3 S4 S5</i>	1,25 mm hexagonal
PHIBO	INT097TS*	Tornillo para Phibo [®] Aurea-NP Zirconia <i>Screw for Phibo[®] Aurea-NP only for Zirconia</i>	1,25 mm hexagonal
PHIBO	PTD097TS*	Tornillo para Phibo [®] Aurea-NP Cromo-Colbato, Ti, PMMA, e-Max <i>Screw for Phibo Aurea Evo (DI) NP for Cobalt-Ch, Ti, PMMA, e-Max</i>	Hexalobular
PHIBO	PTD098TS*	Tornillo para Phibo [®] Aurea-RP/WP <i>Screw for Phibo[®] Aurea-RP/WP</i>	Hexalobular
PHIBO	PTD100TS*	Tornillo para Phibo [®] TSA/ADV (DI) S3 <i>Screw for Phibo[®] TSA/ADV (DI) S3</i>	Hexalobular
PHIBO	PTD101TS*	Tornillo para Phibo [®] TSA/TSADV-S4/S5 <i>Screw for Phibo[®] TSA/TSADV-S4/S5</i>	Hexalobular
PHIBO	TSH2INT*	Tornillo para Phibo [®] TSH S2 sólo Zirconia <i>Screw for Phibo[®] TSH S2 only for Zirconia</i>	1,25 mm hexagonal
PHIBO	TSH34INT*	Tornillo para Phibo [®] TSH S3/S4/S5 sólo Zirconia <i>Screw for Phibo[®] TSH S3/S4/S5 only for Zirconia</i>	1,25 mm hexagonal

Los tornillos marcados con el símbolo * se entregan siempre al comprar prótesis personalizadas Phibo CAD-CAM, puesto que no son compatibles con otras soluciones del mercado.

The screws marked with the symbol * are always delivered when buying Phibo CAD-CAM customized prostheses, since they are not compatible with other solutions on the market.

Tornillos de clínica *Clinical Screws*

Marca Brand	Referencia Item number	Descripción Description	Cabeza del tornillo Screw head
AVINENT	AVHE41	Tornillo para Avinent [®] HE 4.1 <i>Screw for Avinent[®] HE 4.1</i>	1,25 mm hexagonal
AVINENT	AVHI41	Tornillo para Avinent [®] HI 4.1 <i>Screw for Avinent[®] HI 4.1</i>	1,25 mm hexagonal
AVINENT	PUNIH41	Tornillo para Avinent [®] HI 4.1 Uniblock <i>Screw for Avinent[®] HI 4.1 Uniblock</i>	1,25 mm hexagonal
BIOHORIZONS	BIOH30	Tornillo para Biohorizons [®] Laser-Lok 3.0mm <i>Screw for Biohorizons[®] Laser-Lok 3.0mm</i>	1,25 mm hexagonal
BIOMET 3i	CONIC34	Tornillo para Certain [®] Conic 34 <i>Screw for Certain[®] Conic 34</i>	1,25 mm hexagonal
BIOMET 3i	CRTA	Tornillo para Certain [®] antirotatorio <i>Screw for Certain[®] anti-rotational</i>	1,25 mm hexagonal
BIOMET 3i	CRTR	Tornillo para Certain [®] rotatorio <i>Screw for Certain[®] rotational</i>	1,25 mm hexagonal
BIOMET 3i	NANO325	Tornillo para Nanotite [®] 325 <i>Screw for Nanotite[®] 325</i>	1,25 mm hexagonal
BIOMET 3i	XPCONIC5	Tornillo para 3i [®] XP CONIC 5 <i>Screw for 3i[®] XP CONIC 5</i>	1,25 mm hexagonal
BIOTECH	BIO36	Tornillo para Biotech [®] 3.6mm <i>Screw for Biotech[®] 3.6mm</i>	1,25 mm hexagonal
BIOTECH	BIO39	Tornillo para Biotech [®] 3.9mm <i>Screw for Biotech[®] 3.9mm</i>	1,25 mm hexagonal
BTI	BTEX41	Tornillo para BTI [®] Externa <i>Screw for BTI[®] Externa</i>	1,25 mm hexagonal
BTI	BTIN41	Tornillo para BTI [®] Interna <i>Screw for BTI[®] Interna</i>	1,25 mm hexagonal
BTI	BTMIM	Tornillo para BTI [®] Multi-Im / Unit <i>Screw for BTI[®] Multi-Im / Unit</i>	1,25 mm hexagonal
BTI	BTTI	Tornillo para BTI [®] TINY <i>Screw for BTI[®] TINY</i>	1,25 mm hexagonal
CAMLOG	CML38	Tornillo para Camlog [®] 3.8/4.3mm <i>Screw for Camlog[®] 3.8/4.3mm</i>	1,25 mm hexagonal
CAMLOG	CML50	Tornillo para Camlog [®] 5.0/6.0mm <i>Screw for Camlog[®] 5.0/6.0mm</i>	1,25 mm hexagonal
DENTAURUM	DENS	Tornillo para Dentaaurum Tiologic [®] <i>Screw for Dentaaurum Tiologic[®]</i>	1,25 mm hexagonal
DENTSPLY	DFXP	Tornillo para Dentsply- Friadent [®] pilar MP <i>Screw for Dentsply- Friadent[®] abutment MP</i>	1,25 mm hexagonal
DENTSPLY	DFXSTD	Tornillo para Dentsply- Friadent [®] XIVE <i>Screw for Dentsply- Friadent[®] XIVE</i>	1,25 mm hexagonal
DENTSPLY	AT30	Tornillo para Astratech [®] 3,0mm <i>Screw for Astratech[®] 3,0mm</i>	1,25 mm hexagonal

Tornillos de clínica *Clinical Screws*

Marca <i>Brand</i>	Referencia <i>Item number</i>	Descripción <i>Description</i>	Cabeza del tornillo <i>Screw head</i>
DENTSPLY	AT35	Tornillo para Astratech [®] 3.5/4.0mm <i>Screw for Astratech[®] 3.5/4.0mm</i>	1,25 mm hexagonal
DENTSPLY	AT40BL	Tornillo para Astratech [®] 4.0mm <i>Screw for Astratech[®] 4.0mm</i>	1,25 mm hexagonal
DENTSPLY	AT45	Tornillo para Astratech [®] 4,5/5,0mm <i>Screw for Astratech[®] 4,5/5,0mm</i>	1,25 mm hexagonal
DENTSPLY	ATU	Tornillo para Astra Tech [®] Uni <i>Screw for Astra Tech[®] Uni</i>	1,25 mm hexagonal
DYNA	DYNOC	Tornillo para Dyna [®] Octo <i>Screw for Dyna[®] Octo</i>	Compatible con / compatible with original Dyna 1.34mm hexagonal screw
IMPLANT DIRECT	IDL35	Tornillo para Implant Direct Legacy [®] <i>Screw for Implant Direct Legacy[®]</i>	1,25 mm hexagonal
IMPLANT DIRECT	IDOD	Tornillo para Implant Direct Overdenture [®] <i>Screw for Implant Direct Overdenture[®]</i>	1,25 mm hexagonal
KLOCKNER	KLES42	Tornillo para Klocner [®] ES <i>Screw for Klocner[®] ES</i>	1,25 mm hexagonal
KLOCKNER	KLMC30	Tornillo para Klocner [®] Pilar Multi-Cone 30° <i>Screw for Klocner[®] Multi-Cone 30°</i>	1,25 mm hexagonal
KLOCKNER	KLSK42	Tornillo para Klocner [®] SK2 <i>Screw for Klocner[®] SK2</i>	1,25 mm hexagonal
MEGAGEN	MGGAO	Tornillo para Megagen [®] Anyone <i>Screw for Megagen[®] Anyone</i>	1,25 mm hexagonal
MICRODENT	MSY40	Tornillo para Microdent [®] <i>Screw for Microdent[®]</i>	1,25 mm hexagonal
MIS	MCSTD	Tornillo para MIS [®] C1 <i>Screw for MIS[®] C1</i>	1,25 mm hexagonal
MIS	MLSW	Tornillo para MIS [®] Lance <i>Screw for MIS[®] Lance</i>	1,25 mm hexagonal
MIS	MSNR	Tornillo para MIS [®] Seven Narrow <i>Screw for MIS[®] Seven Narrow</i>	1,25 mm hexagonal
MIS	MSSW	Tornillo para MIS [®] Seven Standard&Wide <i>Screw for MIS[®] Seven Standard&Wide</i>	1,25 mm hexagonal
MOZO-GRAU	MGIN41	Tornillo para Mozo Grau [®] Inhex 4.1mm <i>Screw for Mozo Grau[®] Inhex 4.1mm</i>	1,25 mm hexagonal
MOZO-GRAU	MGOS41	Tornillo para Mozo Grau Osseous [®] <i>Screw for Mozo Grau Osseous[®]</i>	1,25 mm hexagonal
NEODENT	NDPC	Tornillo para Neodent [®] PC <i>Screw for Neodent[®] PC</i>	1,25 mm hexagonal
NEODENT	NDPTE	Tornillo para Neodent [®] Transepitelial <i>Screw for Neodent[®] Transepithelial</i>	1,25 mm hexagonal
NOBEL BIOCARE	ACTNP	Tornillo para Active [®] NP <i>Screw for Active[®] NP</i>	1,25 mm hexagonal

Tornillos de clínica *Clinical Screws*

Marca <i>Brand</i>	Referencia <i>Item number</i>	Descripción <i>Description</i>	Cabeza del tornillo <i>Screw head</i>
NOBEL BIOCARE	ACTRP	Tornillo para Active [®] RP <i>Screw for Active[®] RP</i>	1,25 mm hexagonal
NOBEL BIOCARE	BMKNP	Tornillo para Branemark [®] NP <i>Screw for Branemark[®] NP</i>	1,25 mm hexagonal
NOBEL BIOCARE	BMKRP	Tornillo para Branemark [®] RP <i>Screw for Branemark[®] RP</i>	1,25 mm hexagonal
NOBEL BIOCARE	BMKWP	Tornillo para Branemark [®] WP <i>Screw for Branemark[®] WP</i>	1,25 mm hexagonal
NOBEL BIOCARE	CONICNR	Tornillo para Multiunit [®] NP-RP <i>Screw for Multiunit[®] NP-RP</i>	1,25 mm hexagonal
NOBEL BIOCARE	CONICWP	Tornillo para Multiunit [®] WP <i>Screw for Multiunit[®] WP</i>	1,25 mm hexagonal
NOBEL BIOCARE	RPLNP	Tornillo para Replace [®] NP <i>Screw for Replace[®] NP</i>	1,25 mm hexagonal
NOBEL BIOCARE	RPLRP	Tornillo para Replace [®] RP-WP <i>Screw for Replace[®] RP-WP</i>	1,25 mm hexagonal
IMPORTACIÓN DENTAL	OSTP	Tornillo para Osteoplus [®] <i>Screw for Osteoplus[®]</i>	1,25 mm hexagonal
STRAUMANN	BL45	Tornillo para Straumann Bone Level [®] MB <i>Screw for Straumann Bone Level[®] MB</i>	Compatible con/ compatible with original Straumann Torx screw
STRAUMANN	POCTORN	Tornillo para Straumann [®] Synocta <i>Screw for Straumann[®] Synocta</i>	Compatible con/ compatible with original Straumann Torx screw
STRAUMANN	STBLNC	Tornillo para Bone Level [®] NC/RC <i>Screw for Bone Level[®] NC/RC</i>	Compatible con/ compatible with original Straumann Torx screw
STRAUMANN	STDR15T	Tornillo para Straumann [®] Std RN-WN 15° <i>Screw for Straumann[®] Std RN-WN 15°</i>	Compatible con/ compatible with Straumann Torx screw screw
STRAUMANN	STDRN	Tornillo para Straumann [®] Std RN-WN <i>Screw for Straumann[®] Std RN-WN</i>	Compatible con/ compatible with Straumann Torx screw screw
SWEDEN&MARTINA	SMAB330	Tornillo para SM Premium/Kohno [®] Abut. 330/380 <i>Screw for SM Premium/Kohno[®] Abut. 330/380</i>	1,25 mm hexagonal
SWEDEN&MARTINA	SMAB425	Tornillo para SM Premium/Kohno [®] Abut. 425/500 <i>Screw for SM Premium/Kohno[®] Abut. 425/500</i>	1,25 mm hexagonal
SWEDEN&MARTINA	SMPAD	Tornillo para SM PAD [®] 425/500 <i>Screw for SM PAD[®] 425/500</i>	1,25 mm hexagonal
SWEDEN&MARTINA	SMPK330	Tornillo para SM Premium/Kohno [®] 330/380 <i>Screw for SM Premium/Kohno[®] 330/380</i>	1,25 mm hexagonal
SWEDEN&MARTINA	SMPK425	Tornillo para SM Premium/Kohno [®] 425/500 <i>Screw for SM Premium/Kohno[®] 425/500</i>	1,25 mm hexagonal
ZIMMER DENTAL	ZDSV35	Tornillo para Zimmer Dental Screw-vent [®] <i>Screw for Zimmer Dental Screw-vent[®]</i>	1,25 mm hexagonal

Atornilladores

Screw Drivers



Atornilladores Screw Drivers

Conexión 1.25 mm hexagonal 1.25 Hexagonal connection

Marca Brand	Referencia Item number	Descripción Description
PHIBO	REF 174.1251	Atornillador fijo corto manual 1.25mm <i>Manual hex driver, short 1.25mm</i>
PHIBO	REF 174.1252	Atornillador fijo medio manual 1.25mm <i>Manual hex driver, medium 1.25mm</i>
PHIBO	REF 174.1253	Atornillador fijo largo manual 1.25mm <i>Manual hex driver, large 1.25mm</i>
PHIBO	REF 172.1251	Punta atornillador corta a carraca 1.25mm <i>Hex tool, short - to wrench 1.25mm</i>
PHIBO	REF 172.1252	Punta atornillador media a carraca 1.25mm <i>Hex tool, short - to wrench 1.25mm</i>
PHIBO	REF 173.1251	Atornillador mecánico corto 1.25mm <i>Contra-angle hex driver, short 1.25mm</i>
PHIBO	REF 173.1252	Atornillador mecánico medio 1.25mm <i>Contra-angle hex driver, medium 1.25mm</i>

Conexión 1.00 mm hexagonal 1.00 Hexagonal connection

Marca Brand	Referencia Item number	Descripción Description
PHIBO	REF 174.1001	Atornillador fijo corto manual 1.00mm <i>Manual hex driver, short 1.00mm</i>
PHIBO	REF 174.1002	Atornillador fijo medio manual 1.00mm <i>Manual hex driver, medium 1.00mm</i>
PHIBO	REF 172.1001	Punta atornillador corta a carraca 1.00mm <i>Hex tool, short - to wrench 1.00mm</i>
PHIBO	REF 172.1002	Punta atornillador media a carraca 1.00mm <i>Hex tool, medium - to wrench 1.00mm</i>
PHIBO	REF 173.1001	Atornillador mecánico corto 1.00mm <i>Contra-angle hex driver, short 1.00mm</i>
PHIBO	REF 173.1002	Atornillador mecánico medio 1.00mm <i>Contra-angle hex driver, medium 1.00mm</i>

Conexión hexalobular (tipo Torx) Hexalobular connection (Torx type)

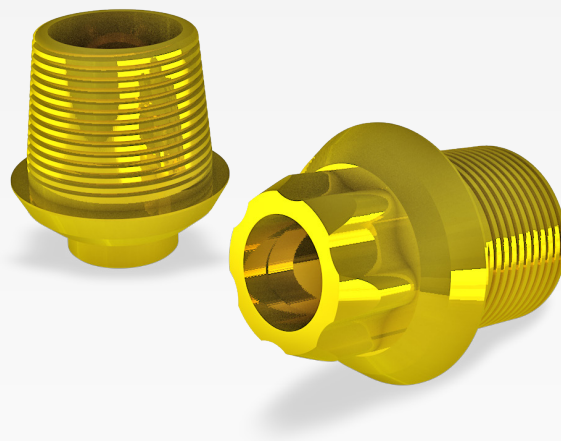
Marca Brand	Referencia Item number	Descripción Description
PHIBO	REF 172.1101	Punta atornillador corta hexalobular a carraca <i>Hex Torx tool, short - to wrench 1.00mm</i>
PHIBO	REF 172.1102	Punta atornillador media hexalobular a carraca <i>Hex Torx tool, medium - to wrench 1.00mm</i>
PHIBO	REF 172.1100	Mango atornillador manual <i>Manual driver handle</i>

Conexión hexalobular para Axis[®] Hexalobular connection for Axis[®]

Marca Brand	Referencia Item number	Descripción Description
PHIBO	REF 172.1100	Mango atornillador manual <i>Manual driver handle</i>
PHIBO	REF 172.1103	Punta at. hexa. Axis [®] corta a carraca (ang.) <i>Hex hexa. tool Axis[®], short - to wrench (ang.)</i>
PHIBO	REF 172.1104	Punta at. hexa. Axis [®] media a carraca (ang.) <i>Hex hexa. tool Axis[®], med. - to wrench (ang.)</i>
PHIBO	REF 172.1105	Punta at. hexa. Axis [®] larga a carraca (ang.) <i>Hex hexa. tool Axis[®], large - to wrench (ang.)</i>

Interfases en Titanio dorado

Golden Titanium bases



Interfases en Titanio dorado *Golden Titanium bases*

Marca Brand	Referencia Item number	Descripción Description
PHIBO	INTTSH2	Interfase Phibo TSH S2 <i>Titanium Base Phibo TSH S2 Hexed</i>
PHIBO	INTTSH2R	Interfase Phibo TSH S2 Rotatoria <i>Titanium Base Phibo TSH S2 Non-Hexed</i>
PHIBO	INTTSH34	Interfase Phibo TSH S3/S4 <i>Titanium Base Phibo TSH S3/S4 Hexed</i>
PHIBO	INTTSH34R	Interfase Phibo TSH S3/S4 Rotatoria <i>Titanium Base Phibo TSH S3/S4 Non-Hexed</i>
PHIBO	INTTSH5	Interfase Phibo TSH S5 <i>Titanium Base Phibo TSH S5 Hexed</i>
PHIBO	INTTSHS5R	Interfase Phibo TSH S5 Rotatoria <i>Titanium Base Phibo TSH S5 Non-Hexed</i>
PHIBO	INTTSAS3	Interfase Phibo TSA S3 <i>Titanium Base Phibo TSA S3 Hexed</i>
PHIBO	INTTSAS3R	Interfase Phibo TSA S3 Rotatoria <i>Titanium Base Phibo TSA S3 Non-Hexed</i>
PHIBO	INTTSAS4	Interfase Phibo TSA S4 <i>Titanium Base Phibo TSA S4 Hexed</i>
PHIBO	INTTSAS4R	Interfase Phibo TSA S4 Rotatoria <i>Titanium Base Phibo TSA S4 Non-Hexed</i>
PHIBO	INTTSAS5	Interfase Phibo TSA S5 <i>Titanium Base Phibo TSA S5 Hexed</i>
PHIBO	INTTSAS5R	Interfase Phibo TSA S5 Rotatoria <i>Titanium Base Phibo TSA S5 Non-Hexed</i>
PHIBO	INTEVONP	Interfase Aurea Evo NP <i>Titanium Base Phibo Aurea Evo NP Hexed</i>
PHIBO	INTEVONPR	Interfase Aurea Evo NP Rotatoria <i>Titanium Base Phibo Aurea Evo NP Non-Hexed</i>
PHIBO	INTEVORW	Interfase Aurea Evo RP-WP <i>Titanium Base Phibo Aurea Evo RP-WP Hexed</i>
PHIBO	INTEVORWR	Interfase Aurea Evo RP-WP Rotatoria <i>Ti. Base Phibo Aurea Evo RP-WP Non-Hexed</i>
PHIBO	INTEVOPNP	Interfase Pilar Aurea Evo NP <i>Titanium Base Phibo Aurea Evo NP Abutment Hexed</i>
PHIBO	INTEVOPNPR	Interfase Pilar Aurea Evo NP Rotatoria <i>Ti. Base Phibo Aurea Evo NP Abut. Non-Hexed</i>
PHIBO	INTEVOPRP	Interfase Pilar Aurea Evo RP <i>Titanium Base Phibo Aurea Evo RP Abutment Hexed</i>
PHIBO	INTEVOPRPR	Interfase Pilar Aurea Evo RP Rotatoria <i>Ti. Base Phibo Aurea Evo RP Abut. Non-Hexed</i>
PHIBO	INTEVOPWP	Interfase Pilar Aurea Evo WP <i>Titanium Base Phibo Aurea Evo WP Abutment Hexed</i>
PHIBO	INTEVOPWPR	Interfase Pilar Aurea Evo WP Rotatoria <i>Ti. Base Phibo Aurea Evo WP Abut. Non-Hexed</i>
PHIBO	INTEVOAN	Interfase Pilar Angulado Aurea Evo <i>Ti. Base Phibo Aurea Evo Angled Abutment Hexed</i>
PHIBO	INTEVOANR	Interfase Pilar Ang. Aurea Evo Rot. <i>Ti. Base Phibo Aurea Evo Angled Abut. Non-Hexed</i>
PHIBO	INTAURPNP	Interfase Phibo Aurea (P) NP <i>Titanium base Pilar Aurea NP Hexed</i>
PHIBO	INTAURPNPR	Interfase Phibo Aurea (P) NP Rotatoria <i>Titanium base Pilar Aurea NP Non-Hexed</i>
PHIBO	INTAURPRP	Interfase Phibo Aurea (P) RP <i>Titanium base Pilar Aurea RP Hexed</i>
PHIBO	INTAURPRPR	Interfase Phibo Aurea (P) RP Rotatoria <i>Titanium base Pilar Aurea RP Non-Hexed</i>
PHIBO	INTAURPWP	Interfase Phibo Aurea (P) WP <i>Titanium base Pilar Aurea WP Hexed</i>
PHIBO	INTAURPWPR	Interfase Phibo Aurea (P) WP Rotatoria <i>Titanium base Pilar Aurea WP Non-Hexed</i>
PHIBO	INTAURNP	Interfase Phibo Aurea (DI) NP <i>Titanium base Aurea NP Hexed</i>
PHIBO	INTAURRP	Interfase Phibo Aurea (DI) RP <i>Titanium base Aurea RP Hexed</i>
PHIBO	INTAURWP	Interfase Phibo Aurea (DI) WP <i>Titanium base Aurea WP Hexed</i>
ALPHA-BIO TEC	INTALPBIO42	Interfase Alpha Bio 4.2 (DI) <i>Titanium base Alpha Bio 4.2 (DI) Hexed</i>
ALPHA-BIO TEC	INTALPBIO42R	Interfase Alpha Bio 4.2 (DI) Rotatoria <i>Titanium base Alpha Bio 4.2 (DI) Non-Hexed</i>
ALPHA-BIO TEC	INTALPBIO50	Interfase Alpha Bio 5.0 (DI) <i>Titanium base Alpha Bio 5.0 (DI) Hexed</i>
ALPHA-BIO TEC	INTALPBIO50R	Interfase Alpha Bio 5.0 (DI) Rotatoria <i>Titanium base Alpha Bio 5.0 (DI) Non-Hexed</i>
ALPHA-BIO TEC	INTALPBIO60	Interfase Alpha Bio 6.0 (DI) <i>Titanium base Alpha Bio 6.0 (DI) Hexed</i>
ALPHA-BIO TEC	INTALPBIO60R	Interfase Alpha Bio 6.0 (DI) Rotatoria <i>Titanium base Alpha Bio 6.0 (DI) Non-Hexed</i>

Interfases en Titanio dorado *Golden Titanium bases*

Marca Brand	Referencia Item number	Descripción Description
AVINENT	NTAVIHI41	Interfase Avinent HI (DI) 4.1 <i>Titanium base Avinent HI 4.1 Hexed</i>
AVINENT	INTAVIHI41R	Interfase Avinent HI (DI) 4.1 Rotatoria <i>Titanium base Avinent HI 4.1 Non-Hexed</i>
BIOCOMP	INTBIOC40	Interfase Biocomp (DI) 4.0 <i>Titanium base Biocomp (DI) 4.0 Hexed</i>
BIOCOMP	INTBIOC40R	Interfase Biocomp (DI) 4.0 Rotatoria <i>Titanium base Biocomp (DI) 4.0 Non-Hexed</i>
BIOCOMP	INTBIOC52	Interfase Biocomp (DI) 5.2 <i>Titanium base Biocomp (DI) 5.2 Hexed</i>
BIOCOMP	INTBIOC52R	Interfase Biocomp (DI) 5.2 Rotatoria <i>Titanium base Biocomp (DI) 5.2 Non-Hexed</i>
BIOHORIZONS	INTBIOH30	Interfase BioHorizons Tapered Internal (DI) 3.0 <i>Ti. b. BioHorizons Tap. Intp.(DI) 3.0 Hex.</i>
BIOHORIZONS	INTBIOH30R	Int. BioHorizons Tapered Internal (DI) 3.0 Rot. <i>Ti. b. BioHorizons Tap. Intp.(DI) 3.0 Hex.</i>
BIOHORIZONS	INTBIOH35TAP	Int.Biohorizons Tapered Internal 3.5 (DI) <i>Ti. b. Biohorizons Tapered Internal 3.5 (DI) Hex.</i>
BIOHORIZONS	INTBIOH35TAPR	Int. Biohorizons Tapered Int. 3.5 (DI) Rot. <i>Ti. b. Biohorizons Tapered Int. 3.5 (DI) Non-Hex.</i>
BIOHORIZONS	INTBIOH45TAP	Int.Biohorizons Tapered Internal 4.5 (DI) <i>Ti. b. Biohorizons Tapered Internal 4.5 (DI) Hex.</i>
BIOHORIZONS	INTBIOH45TAPR	Int. Biohorizons Tapered Int.4.5 (DI) Rot. <i>Ti. b. Biohorizons Tapered Int.4.5 (DI) Non-Hex.</i>
BIOHORIZONS	INTBIOH57TAP	Int. Biohorizons Tapered Internal 5.7 (DI) <i>Ti. b. Biohorizons Tapered Internal 5.7 (DI) Hex.</i>
BIOHORIZONS	INTBIOH57TAPR	Int. Biohorizons Tapered Int. 5.7 (DI) Rot. <i>Ti. b. Biohorizons Tapered Int. 5.7 (DI) Non-Hex.</i>
BIOMET 3i	INTCRTA34	Interfase Biomet 3i Certain 3.4 <i>Titanium Base Biomet 3i Certain 3.4 Hexed</i>
BIOMET 3i	INTCRTA34R	Interfase Biomet 3i Certain 3.4 Rotatoria <i>Ti. Base Biomet 3i Certain 3.4 Non-Hexed</i>
BIOMET 3i	INTCRTA41	Interfase Biomet 3i Certain 4.1 <i>Titanium Base Biomet 3i Certain 4.1 Hexed</i>
BIOMET 3i	INTCRTA41R	Interfase Biomet 3i Certain 4.1 Rotatoria <i>Ti. Base Biomet 3i Certain 4.1 Non-Hexed</i>
BIOMET 3i	INTCRTA50	Interfase Biomet 3i Certain 5.0 <i>Titanium Base Biomet 3i Certain 5.0 Hexed</i>
BIOMET 3i	INTCRTA50R	Interfase Biomet 3i Certain 5.0 Rotatoria <i>Ti. Base Biomet 3i Certain 5.0 Non-Hexed</i>
BIOMET 3i	INTNANO325	Interfase Biomet 3i Nanotite 3.25 <i>Titanium Base Biomet 3i Nanotite 3.25 Hexed</i>
BIOMET 3i	INTNANO325R	Interfase Biomet 3i Nanotite 3.25 Rotatoria <i>Ti. Base Biomet 3i Nanotite 3.25 Non-Hex.</i>
BIOMET 3i	INTOSEO41	Interfase Biomet 3i Oseotite XP 4.1 <i>Titanium Base Biomet 3i Oseotite XP 4.1 Hexed</i>
BIOMET 3i	INTOSEO41R	Interfase Biomet 3i Oseotite XP 4.1 Rotatoria <i>Ti. Base Biomet 3i Os. XP 4.1 Non-Hex.</i>
BIOMET 3i	INTOSEO50	Interfase Biomet 3i Oseotite XP 5.0 <i>Titanium Base Biomet 3i Oseotite XP 5.0 Hexed</i>
BIOMET 3i	INTOSEO50R	Interfase Biomet 3i Oseotite XP 5.0 Rotatoria <i>Ti. Base Biomet 3i Os. XP 5.0 Non-Hex.</i>
BTI	INTBTI41	Interfase BTI Interna (DI) 4.1 <i>Titanium base BTI interna 4.1 Hexed</i>
BTI	INTBTI41R	Interfase BTI Interna (DI) 4.1 Rotatoria <i>Titanium base BTI interna 4.1 Non-Hexed</i>
BTI	INTBTI55	Interfase BTI Interna (DI) 5.5 <i>Titanium base BTI interna 5.5 Hexed</i>
BTI	INTBTI55R	Interfase BTI Interna (DI) 5.5 Rotatoria <i>Titanium base BTI interna 5.5 Non-Hexed</i>
BTI	INTBTIPU	Interfase BTI Pilar Unit (P) <i>Titanium base BTI Pilar Unit (P) Hexed</i>

Interfases en Titanio dorado *Golden Titanium bases*

Marca Brand	Referencia Item number	Descripción Description
CAMLOG	INTCAM33	Interfase Camlog (DI) 3.3 <i>Titanium base Camlog (DI) 3.3 Hexed</i>
CAMLOG	INTCAM33R	Interfase Camlog (DI) 3.3 Rotatoria <i>Titanium base Camlog (DI) 3.3 Non-Hexed</i>
CAMLOG	INTCAM38	Interfase Camlog (DI) 3.8 <i>Titanium base Camlog (DI) 3.8 Hexed</i>
CAMLOG	INTCAM38R	Interfase Camlog (DI) 3.8 Rotatoria <i>Titanium base Camlog (DI) 3.8 Non-Hexed</i>
CAMLOG	INTCAM43	Interfase Camlog (DI) 4.3 <i>Titanium base Camlog (DI) 4.3 Hexed</i>
CAMLOG	INTCAM43R	Interfase Camlog (DI) 4.3 Rotatoria <i>Titanium base Camlog (DI) 4.3 Non-Hexed</i>
CAMLOG	INTCAM50	Interfase Camlog (DI) 5.0 <i>Titanium base Camlog (DI) 5.0 Hexed</i>
CAMLOG	INTCAM50R	Interfase Camlog (DI) 5.0 Rotatoria <i>Titanium base Camlog (DI) 5.0 Non-Hexed</i>
CAMLOG	INTCAM60	Interfase Camlog (DI) 6.0 <i>Titanium base Camlog (DI) 6.0 Hexed</i>
CAMLOG	INTCAM60R	Interfase Camlog (DI) 6.0 Rotatoria <i>Titanium base Camlog (DI) 6.0 Non-Hexed</i>
DENTSPLY SIRONA	INTOSEOTXYE	Int. Astr. Osseospeed TX (DI) Yellow <i>Ti. base Astr. Osseospeed TX (DI) Yellow Hex.</i>
DENTSPLY SIRONA	INTOSEOTXAQ	Int. Astratech Osseospeed TX (DI) Aqua <i>Ti. base Astr. Osseospeed TX (DI) Aqua Hex.</i>
DENTSPLY SIRONA	INTOSEOTXLI	Int. Astratech Osseospeed TX (DI) Lilac <i>Ti. base Astr. Osseospeed TX (DI) Lilac Hex.</i>
DENTSPLY SIRONA	INTASTRABLUE	Interfase Astratech Blue (DI) <i>Titanium base Astratech Blue (DI) Hexed</i>
DENTSPLY SIRONA	INTXIVE34	Int. Dentsply-Friadent XIVE (DI) 3.40 <i>Ti. base Dentsply-Friadent XIVE (DI) 3.40 Hex.</i>
DENTSPLY SIRONA	INTXIVE34R	Int. Dentsply-Friadent XIVE (DI) 3.40 Rot. <i>Ti. b. Dentsply-Friadent XIVE (DI) 3.40 Non-Hex.</i>
DENTSPLY SIRONA	INTXIVE38	Int. Dentsply-Friadent XIVE (DI) 3.80 <i>Ti. b. Dentsply-Friadent XIVE (DI) 3.80 Hexed</i>
DENTSPLY SIRONA	INTXIVE38R	Int. Dentsply-Friadent XIVE (DI) 3.80 Rot. <i>Ti. b. Dentsply-Friadent XIVE (DI) 3.80 Non-Hex.</i>
DENTSPLY SIRONA	INTXIVE45	Int. Dentsply-Friadent XIVE (DI) 4.50 <i>Ti. b. Dentsply-Friadent XIVE (DI) 4.50 Hexed</i>
DENTSPLY SIRONA	INTXIVE45R	Int. Dentsply-Friadent XIVE (DI) 4.50 Rot. <i>Ti. b. Dentsply-Friadent XIVE (DI) 4.50 Non-Hex.</i>
DENTSPLY SIRONA	INTXIVE55	Int. Dentsply-Friadent XIVE (DI) 5.50 <i>Ti. b. Dentsply-Friadent XIVE (DI) 5.50 Hexed</i>
DYNA IMPLANTS	INTDYNOCTA	Interfase Dyna Implants Octa (DI) <i>Titanium base Dyna Implants Octa (DI) Hexed</i>
DYNA IMPLANTS	INTDYNOCTAR	Interfase Dyna Implants Octa (DI) Rot. <i>Ti. base Dyna Implants Octa (DI) Non-Hexed</i>
KLOCKNER	INTESENTI42	Interfase Klockner Essential (DI) 4.2 <i>Titanium base Klockner Essential 4.2 Hexed</i>
KLOCKNER	INTESENTI42R	Interfase Klockner Essential (DI) 4.2 Rot. <i>Ti. base Klockner Essential 4.2 Non-Hexed</i>
KLOCKNER	INTOCACO42	Interfase Klockner Octacone 12° EC (P) <i>Ti. base Klockner Pilar Octacone 12° Hexed</i>
KLOCKNER	INTOCACO42R	Interfase Klockner Octacone 12° EC (P) Rot. <i>Ti. base Klockner Pilar Oct. 12° Non-Hex.</i>
KLOCKNER	INTSK242R	Interfase Klockner SK2 (DI) Rot. <i>Titanium base Klockner SK2 4.2 Non-Hexed</i>
KLOCKNER	INTKLESP25	Interfase Klockner Essential Pilar 25° <i>Ti. base Klockner Essential Pilar 25° Hexed</i>
KLOCKNER	INTKLMULCO30	Interfase Klockner Pilar Multi-Cone 30° <i>Ti. base Klockner Pilar Multi-Cone 30° Hexed</i>
KLOCKNER	INTESENTI48	Interfase Klockner Essential 4.8 (DI) <i>Titanium base Klockner Essential 4.8 (DI) Hexed</i>
KLOCKNER	INTESENTI48R	Interfase Klockner Essential 4.8 (DI) Rot. <i>Ti. b. Klockner Essential 4.8 (DI) Non-Hexed</i>
KLOCKNER	INTKLOVGMV	Interfase Klockner Vega MV (DI) <i>Titanium base Klockner Vega MV (DI) Hexed</i>
KLOCKNER	INTKLOVGMVR	Interfase Klockner Vega MV (DI) Rot. <i>Ti. base Klockner Vega MV (DI) Non-Hexed</i>
KLOCKNER	INTKLOVGNV	Interfase Klockner Vega NV (DI) <i>Titanium base Klockner Vega NV (DI) Hexed</i>
KLOCKNER	INTKLOVGNVR	Interfase Klockner Vega NV (DI) Rot. <i>Ti. base Klockner Vega NV (DI) Non-Hexed</i>
KLOCKNER	INTKLOVGRV	Interfase Klockner Vega RV (DI) <i>Titanium base Klockner Vega RV (DI) Hexed</i>

Interfases en Titanio dorado *Golden Titanium bases*

Marca Brand	Referencia Item number	Descripción Description
KLOCKNER	INTKLOVGRVR	Interfase Klockner Vega RV (DI) Rot. <i>Ti. base Klockner Vega RV (DI) Non-Hexed</i>
KLOCKNER	INTKLOVGP	Interfase Klockner Vega (P) <i>Titanium base Klockner Vega (P) Hexed</i>
KLOCKNER	INTKLOVGPR	Interfase Klockner Vega (P) Rot. <i>Ti. base Klockner Vega RV (DI) Non-Hexed</i>
MEGAGEN	INTMGGAN	Interfase Megagen Anyridge (DI) <i>Titanium base Megagen Anyridge (DI) Hexed</i>
MEGAGEN	INTMGGANR	Interfase Megagen Anyridge (DI) Rot. <i>Ti. base Megagen Anyridge (DI) Non-Hex.</i>
MEGAGEN	INTMGGANO	Interfase Megagen Anyone 3.9 - 4.3 (DI) <i>Ti. b. Megagen Anyone 3.9 - 4.3 (DI) Hex.</i>
MIS	INTMISNRW	Interfase Mis Seven (DI) Narrow <i>Titanium base Mis Seven (DI) Narrow Hexed</i>
MIS	INTMISNRWR	Interfase Mis Seven (DI) Narrow Rotatoria <i>Ti. base Mis Seven (DI) Narrow Non-Hexed</i>
MIS	INTMISSTD	Interfase Mis Seven (DI) Standard <i>Titanium base Mis Seven (DI) Standard Hexed</i>
MIS	INTMISSTDR	Interfase Mis Seven (DI) Standard Rot. <i>Ti. base Mis Seven (DI) Standard Non-Hexed</i>
MIS	INTMISWD	Interfase Mis Seven (DI) Wide <i>Titanium base Mis Seven (DI) Wide Hexed</i>
MIS	INTMISWDR	Interfase Mis Seven (DI) Wide Rotatoria <i>Ti. base Mis Seven (DI) Wide Non-Hexed</i>
MIS	INTMISLSTD	Interfase Mis Lance L.Plus Standard (DI) <i>Ti. b. Mis Lance L.Plus Standard (DI) Hex.</i>
MIS	INTMISLSTDR	Int. Mis Lance L.Plus Standard (DI) Rot. <i>Ti. b. Mis Lance L.Plus Standard (DI) Non-Hex.</i>
MIS	INTMISLWD	Interfase Mis L.Plus Wide (DI) <i>Titanium base Mis Lance L.Plus Wide (DI) Hexed</i>
MIS	INTMISLWDR	Interfase Mis L.Plus Wide (DI) Rot. <i>Ti. base Mis Lance L.Plus Wide (DI) Non-Hexed</i>
MIS	INTMISC1STD	Interfase Mis C1 Standard (DI) <i>Titanium base Mis C1 Standard (DI) Hexed</i>
MIS	INTMISC1STDR	Interfase Mis C1 Standard (DI) Rot. <i>Titanium base Mis C1 Standard (DI) Non-Hexed</i>
MIS	INTMISC1WD	Interfase Mis C1 Wide (DI) <i>Titanium base Mis C1 Wide (DI) Hexed</i>
MIS	INTMISC1WDR	Interfase Mis C1 Wide (DI) Rotatoria <i>Titanium base Mis C1 Wide (DI) Non-Hexed</i>
NEODENT	INTNDCMO	Interfase Neodent Cono Morse (DI) <i>Titanium base Neodent Cono Morse (DI) Hexed</i>
NOBEL BIOCARE	INTACTNP	Interfase Nobel Active (DI) NP <i>Titanium Base Nobel Active (DI) NP Hexed</i>
NOBEL BIOCARE	INTACTRP	Interfase Nobel Active (DI) RP <i>Titanium Base Nobel Active (DI) RP Hexed</i>
NOBEL BIOCARE	INTBMKNP	Interfase Nobel Branemark (DI) NP <i>Titanium Base Nobel Branemark (DI) NP Hexed</i>
NOBEL BIOCARE	INTBMKNPR	Interfase Nobel Branemark (DI) NP rotatoria <i>Ti. Base Nobel Bran. (DI) NP Non-Hexed</i>
NOBEL BIOCARE	INTBMKRP	Interfase Nobel Branemark (DI) RP <i>Titanium Base Nobel Branemark (DI) RP Hexed</i>
NOBEL BIOCARE	INTBMKRPR	Interfase Nobel Branemark (DI) RP rotatoria <i>Ti. Base Nobel Bran. (DI) RP Non-Hexed</i>
NOBEL BIOCARE	INTBMKWP	Interfase Nobel Branemark (DI) WP <i>Titanium Base Nobel Branemark (DI) WP Hexed</i>
NOBEL BIOCARE	INTBMKWPR	Interfase Nobel Branemark (DI) WP rotatoria <i>Ti. Base Nobel Bran. (DI) WP Non-Hexed</i>
NOBEL BIOCARE	INTRPLNP	Interfase Nobel Replace (DI) NP <i>Titanium Base Nobel Replace (DI) NP Hexed</i>
NOBEL BIOCARE	INTRPLNPR	Interfase Nobel Replace (DI) NP rotatoria <i>Ti. Base Nobel Replace (DI) NP Non-Hexed</i>
NOBEL BIOCARE	INTRPLRP	Interfase Nobel Replace (DI) RP <i>Titanium Base Nobel Replace (DI) RP Hexed</i>
NOBEL BIOCARE	INTRPLRPR	Interfase Nobel Replace (DI) RP rotatoria <i>Ti. Base Nobel Replace (DI) RP Non-Hexed</i>
NOBEL BIOCARE	INTRPLWP	Interfase Nobel Replace (DI) WP <i>Titanium Base Nobel Replace (DI) WP Hexed</i>
NOBEL BIOCARE	INTRPLWPR	Interfase Nobel Replace (DI) WP rotatoria <i>Ti. Base Nobel Replace (DI) WP Non-Hexed</i>

Interfases en Titanio dorado *Golden Titanium bases*

Marca Brand	Referencia Item number	Descripción Description
STRAUMANN	INTBLVNC	Interfase Straumann Bone Level NC <i>Titanium Base Straumann Bone Level NC Hexed</i>
STRAUMANN	INTBLVNCR	Interfase Straumann Bone Level NC Rotatoria <i>Ti. Base S. Bone Level NC Non-Hexed</i>
STRAUMANN	INTBLVRC	Interfase Straumann Bone Level RC <i>Titanium Base Straumann Bone Level RC Hexed</i>
STRAUMANN	INTBLVROR	Interfase Straumann Bone Level RC Rotatoria <i>Ti. Base S. Bone Level RC Non-Hexed</i>
STRAUMANN	INTSTDRN	Interfase Straumann Standard RN <i>Titanium Base Straumann Standard RN Hexed</i>
STRAUMANN	INTSTDRNR	Interfase Straumann Standard RN Rotatoria <i>Ti. Base S. Standard RN Non-Hexed</i>
STRAUMANN	INTSTDWN	Interfase Straumann Standard WN <i>Titanium Base Straumann Standard WN Hexed</i>
STRAUMANN	INTSTDWNR	Interfase Straumann Standard WN Rotatoria <i>Ti. Base S. Standard WN Non-Hexed</i>
STRAUMANN	INTBLSRANC	Interfase Straumann Bone Level SRA NC (P) <i>Ti. base S. Bone Level SRA NC (P) Hex.</i>
STRAUMANN	INTBLSRANCR	Interfase S. Bone Level SRA NC (P) Rot. <i>Ti. base S. Bone Level SRA NC (P) Non-Hex.</i>
STRAUMANN	INTBLSRARC	Interfase Straumann Bone Level SRA RC (P) <i>Ti. base S. Bone Level SRA RC (P) Hex.</i>
STRAUMANN	INTBLSRARCR	Interfase S. Bone Level SRA RC (P) Rot. <i>Ti. base S. Bone Level SRA RC (P) Non-Hex.</i>
ZIACOM	INTZIAOINRP	Interfase Ziacom OIN RP (DI) <i>Titanium base Ziacom OIN RP (DI) Non-Hexed</i>
ZIACOM	INTZIAOINRPR	Interfase Ziacom OIN RP (DI) Rot. <i>Titanium base Ziacom OIN RP (DI) Non-Hexed</i>
ZIACOM	INTZIAOINWP	Interfase Ziacom OIN WP (DI) <i>Titanium base Ziacom OIN WP (DI)Hexed</i>
ZIACOM	INTZIAOINWPR	Interfase Ziacom OIN WP (DI) Rot. <i>Ti. base Ziacom OIN WP (DI) Non-Hexed</i>
ZIMMER DENTAL	INTZDSV35	Interfase Zimmer Screw Vent 3.5 <i>Titanium Base Zimmer Screw Vent 3.5 Hexed</i>
ZIMMER DENTAL	INTZDSV35R	Interfase Zimmer Screw Vent 3.5 Rotatoria <i>Ti. Base Zimmer Screw Vent 3.5 Non-Hex.</i>
ZIMMER DENTAL	INTZDSV45	Interfase Zimmer Screw Vent 4.5 <i>Titanium Base Zimmer Screw Vent 4.5 Hexed</i>
ZIMMER DENTAL	INTZDSV45R	Interfase Zimmer Screw Vent 4.5 Rotatoria <i>Ti. Base Zimmer Screw Vent 4.5 Non-Hex.</i>
ZIMMER DENTAL	INTZDSV56	Interfase Zimmer Screw Vent 5.6 <i>Titanium Base Zimmer Screw Vent 5.6 Hexed</i>
ZIMMER DENTAL	INTZDSV56R	Interfase Zimmer Screw Vent 5.6 Rotatoria <i>Ti. Base Zimmer Screw Vent 5.6 Non-Hex.</i>

*Todos los nombres y marcas comerciales indicados son propiedad de sus respectivos dueños.
All names and trademarks are property of their respective owners.*

Análogos de laboratorio

Laboratory analogues



Análogos de laboratorio *Laboratory analogues*

Marca <i>Brand</i>	Referencia <i>Item number</i>	Descripción <i>Description</i>
BIOMET 3i	AN039	Análogo Biomet 3i Externa 5.0 <i>Analog for 3i Externa 5.0</i>
BIOMET 3i	AN131	Análogo Biomet 3i Externa 4.1 <i>Analog for 3i Externa 4.1</i>
BIOMET 3i	AN024	Análogo Certain 5.0 <i>Analog for Certain 5.0</i>
BIOMET 3i	AN023	Análogo Biomet 3i Certain 4.1 <i>Analog for Certain 4.1</i>
BIOMET 3i	AN022	Análogo Biomet 3i Certain 3.4 <i>Analog for Certain 3.4</i>
BIOMET 3i	AN038	Análogo Biomet 3i 3.25 <i>Analog for 3i 3.25</i>
NOBEL BIOCARE	AN017	Análogo Multiunit Standard <i>Analog for Multiunit STANDARD</i>
NOBEL BIOCARE	AN018	Análogo Multiunit WP <i>Analog for Multiunit WP</i>
NOBEL BIOCARE	AN020	Análogo Replace RP <i>Analog for Replace RP</i>
NOBEL BIOCARE	AN021	Análogo Replace WP <i>Analog for Replace WP</i>
NOBEL BIOCARE	AN019	Análogo Replace NP <i>Analog for Replace NP</i>
NOBEL BIOCARE	AN067	Análogo Nobel Active RP <i>Analog for Active RP</i>
NOBEL BIOCARE	AN066	Análogo Nobel Active NP <i>Analog for Active NP</i>
NOBEL BIOCARE	AN014	Análogo Branemark NP <i>Analog for Branemark NP</i>
NOBEL BIOCARE	AN015	Análogo Branemark RP <i>Analog for Branemark RP</i>
NOBEL BIOCARE	AN016	Análogo Branemark WP <i>Analog for Branemark WP</i>
STRAUMANN	AN030	Análogo Straumann Standard RN <i>Analog Straumann Standard RN</i>
STRAUMANN	AN031	Análogo Straumann Standard WN <i>Analog Straumann Standard WN</i>
STRAUMANN	AN032	Análogo Straumann Synocta RN <i>Analog Straumann Synocta RN</i>
STRAUMANN	AN033	Análogo Straumann Synocta WN <i>Analog Straumann Synocta WN</i>
STRAUMANN	AN105	Análogo Straumann Bone Level NC <i>Analog BONE LEVEL NC</i>
STRAUMANN	AN106	Análogo Straumann Bone Level RC <i>Analog BONE LEVEL RC</i>
ZIMMER DENTAL	AN061	Análogo Zimmer Dental Screw Vent 3.5 <i>Analog Zimmer Screw-Vent 3.5</i>
ZIMMER DENTAL	AN062	Análogo Zimmer Dental Screw Vent 4.5 <i>Analog Zimmer Screw-Vent 4.5</i>
ZIMMER DENTAL	AN108	Análogo Zimmer Dental Screw Vent 5.6 <i>Analog Zimmer Screw-Vent 5.6</i>

Análogos Sinergia

Analogues Sinergia



Análogos Sinergia *Analogues Sinergia*

Marca Brand	Referencia Item number	Descripción Description
PHIBO	ANSIN001	Análogo Phibo TSH/BNT S2 Sinergia <i>Analog for Phibo TSH/BNT S2</i>
PHIBO	ANSIN002	Análogo Phibo TSH/BNT S3 / S4 Sinergia <i>Analog for Phibo TSH/BNT S3 S4</i>
PHIBO	ANSIN003	Análogo Phibo TSH/BNT S5 Sinergia <i>Analog for Phibo TSH/BNT S5</i>
PHIBO	ANSIN004	An. Phibo TSA/TSADV Pilar Prounic Adv. S3 Sinergia <i>An. for Phibo TSA Abut. Prounic Adv. S3</i>
PHIBO	ANSIN005	An. Phibo TSA/TSADV Pilar Prounic Adv. S4 Sinergia <i>An. for Phibo TSA Abut. Prounic Adv. S4</i>
PHIBO	ANSIN006	An. Phibo TSA/TSADV Pilar Prounic Adv. S5 Sinergia <i>An. for Phibo TSA Abut. Prounic Adv. S5</i>
PHIBO	ANSIN007	An. Phibo TSA/TSADV Pilar Prounic Plus S3 Sinergia <i>An. for Phibo TSA Abut. Prounic Plus S3</i>
PHIBO	ANSIN008	An. Phibo TSA/TSADV Pilar Prounic Plus S4 Sinergia <i>An. for Phibo TSA Abut. Prounic Plus S4</i>
PHIBO	ANSIN009	An. Phibo TSA/TSADV Pilar Prounic Plus S5 Sinergia <i>An. for Phibo TSA Abut. Prounic Plus S5</i>
PHIBO	ANSIN100	Análogo Phibo TSA/TSADV S3 Sinergia <i>Analog for Phibo TSA/ADV S3</i>
PHIBO	ANSIN101	Análogo Phibo TSA/TSADV S4 Sinergia <i>Analog for Phibo TSA/ADV S4</i>
PHIBO	ANSIN102	Análogo Phibo TSA/TSADV S5 Sinergia <i>Analog for Phibo TSA/ADV S5</i>
PHIBO	ANSIN103	Análogo Phibo Pilar Conhex S2 / S3 / S4 Sinergia <i>Analog for Phibo CONHEX S2 S3 S4</i>
PHIBO	ANSIN104	Análogo Phibo Pilar Conhex S5 Sinergia <i>Analog for Phibo CONHEX S5</i>
PHIBO	ANSIN166	Análogo Phibo Aurea Evo NP Sinergia <i>Analog for Phibo Aurea Evo NP</i>
PHIBO	ANSIN167	Análogo Phibo Aurea Evo RP Sinergia <i>Analog for Phibo Aurea Evo RP</i>
PHIBO	ANSIN168	Análogo Phibo Aurea Evo WP Sinergia <i>Analog for Phibo Aurea Evo WP</i>
PHIBO	ANSIN169	Análogo Phibo Pilar Aurea Evo NP Sinergia <i>Analog for Phibo Aurea Evo (P) NP</i>
PHIBO	ANSIN170	Análogo Phibo Pilar Aurea Evo RP Sinergia <i>Analog for Phibo Aurea Evo (P) RP</i>
PHIBO	ANSIN171	Análogo Phibo Pilar Aurea Evo WP Sinergia <i>Analog for Phibo Aurea Evo (P) WP</i>
PHIBO	ANSIN172	Análogo Phibo Aurea Evo Pilar Angulado <i>Analog for Phibo Aurea Evo (P ANG)</i>
PHIBO	ANSIN093	Análogo Phibo Aurea Pilar NP Sinergia <i>Analog for Aurea Pilar NP</i>
PHIBO	ANSIN094	Análogo Phibo Aurea Pilar RP Sinergia <i>Analog for Aurea Pilar RP</i>
PHIBO	ANSIN095	Análogo Phibo Aurea Pilar WP Sinergia <i>Analog for Aurea Pilar WP</i>
PHIBO	ANSIN097	Análogo Phibo Aurea NP Sinergia <i>Analog for Aurea NP</i>
PHIBO	ANSIN098	Análogo Phibo Aurea RP Sinergia <i>Analog for Aurea RP</i>
PHIBO	ANSIN099	Análogo Phibo Aurea WP Sinergia <i>Analog for Aurea WP</i>
PHIBO	ANSIN153	Análogo Phibo Aurea Pilar Angulado Sinergia <i>Analog for Aurea Pilar Angulado</i>
BIOMET 3i	ANSIN022	Análogo Biomet 3i Certain 3.4 Sinergia <i>Analog for Certain 3.4</i>
BIOMET 3i	ANSIN023	Análogo Biomet 3i Certain 4.1 Sinergia <i>Analog for Certain 4.1</i>
BIOMET 3i	ANSIN024	Análogo Biomet 3i Certain 5.0 Sinergia <i>Analog for Certain 5.0</i>
BIOMET 3i	ANSIN038	Análogo Biomet 3i Nanotite 3.25 Sinergia <i>Analog for 3i 3.25</i>
BIOMET 3i	ANSIN039	Análogo Biomet 3i Oseotite XP 5.0 Sinergia <i>Analog for 3i Externa 5.0</i>
BIOMET 3i	ANSIN131	Análogo Biomet 3i Oseotite XP 4.1 Sinergia <i>Analog for 3i Externa 4.1</i>
CAMLOG	ANSIN121	Análogo Camlog 3.30 Sinergia <i>Analog for Camlog 3.30</i>
CAMLOG	ANSIN122	Análogo Camlog 3.80 Sinergia <i>Analog for Camlog 3.80</i>
CAMLOG	ANSIN123	Análogo Camlog 4.30 Sinergia <i>Analog for Camlog 4.30</i>
CAMLOG	ANSIN124	Análogo Camlog 5.00 Sinergia <i>Analog for Camlog 5.00</i>
CAMLOG	ANSIN125	Análogo Camlog 6.00 Sinergia <i>Analog for Camlog 6.00</i>
DENTSPLY SIRONA	ANSIN109	An. Astratech Osseospeed TX Yellow Sinergia <i>An. for Astratech Osseos. TX Yellow</i>
DENTSPLY SIRONA	ANSIN110	An. Astratech Osseospeed TX Aqua Sinergia <i>An. for Astratech Osseos. TX Aqua</i>
DENTSPLY SIRONA	ANSIN111	An. Astratech Osseospeed TX Lilac Sinergia <i>An. for Astratech Osseos. TX Lilac</i>
DENTSPLY SIRONA	ANSIN063	An. Astratech Uniabutment 45° 3.5 Sinergia <i>An. for Astratech Uniabutment 45° 3.5</i>
DENTSPLY SIRONA	ANSIN064	An. Astratech Uniabutment 20° 3.5 Sinergia <i>An. for Astratech Uniabutment 20° 3.5</i>

Análogos Sinergia *Analogues Sinergia*

Marca <i>Brand</i>	Referencia <i>Item number</i>	Descripción <i>Description</i>
KLOCKNER	ANSIN034	Análogo Klockner Essential 4.2 Sinergia <i>Analog for Klockner Essential 4.2</i>
KLOCKNER	ANSIN035	Análogo Klockner Octacone 12° 4.2 Sinergia <i>Analog for Klockner Octacone 12° 4.2</i>
KLOCKNER	ANSIN036	Análogo Klockner SK2 4.2 Sinergia <i>Analog for Klockner SK2 4.2</i>
KLOCKNER	ANSIN182	Análogo Klockner Vega MV <i>Analog for Klockner Vega MV</i>
KLOCKNER	ANSIN183	Análogo Klockner Vega NV <i>Analog for Klockner Vega NV</i>
KLOCKNER	ANSIN184	Análogo Klockner Vega RV <i>Analog for Klockner Vega RV</i>
KLOCKNER	ANSIN185t	Análogo Klockner Vega Pilar NV-RV <i>Analog for Klockner Vega Pilar NV-RV</i>
MOZO-GRAU	ANSIN054	Análogo MozoGrau Osseous 4.1 Sinergia <i>Analog for MozoGrau Osseous 4.1</i>
MOZO-GRAU	ANSIN092	Análogo MozoGrau Inhex 4.1 Sinergia <i>Analog for MozoGrau Inhex 4.1</i>
NOBEL BIOCARE	ANSIN014	Análogo Nobel Branemark NP Sinergia <i>Analog for Branemark System NP</i>
NOBEL BIOCARE	ANSIN015	Análogo Nobel Branemark RP Sinergia <i>Analog for Branemark System RP</i>
NOBEL BIOCARE	ANSIN016	Análogo Nobel Branemark WP Sinergia <i>Analog for Branemark System WP</i>
NOBEL BIOCARE	ANSIN017	Análogo Nobel Multiunit NP-RP Sinergia <i>Analog for Multiunit STANDARD</i>
NOBEL BIOCARE	ANSIN018	Análogo Nobel Multiunit NP-RP Sinergia <i>Analog for Multiunit WP</i>
NOBEL BIOCARE	ANSIN019	Análogo Nobel Replace NP Sinergia <i>Analog for NobelReplace NP</i>
NOBEL BIOCARE	ANSIN020	Análogo Nobel Replace RP Sinergia <i>Analog for NobelReplace RP</i>
NOBEL BIOCARE	ANSIN021	Análogo Nobel Replace WP Sinergia <i>Analog for NobelReplace WP</i>
NOBEL BIOCARE	ANSIN066	Análogo Nobel Active NP Sinergia <i>Analog for NobelActive NP</i>
NOBEL BIOCARE	ANSIN067	Análogo Nobel Active RP Sinergia <i>Analog for NobelActive RP</i>
STRAUMANN	ANSIN030	Análogo Straumann Standard RN Sinergia <i>Analog for Straumann Standard RN</i>
STRAUMANN	ANSIN031	Análogo Straumann Standard WN Sinergia <i>Analog for Straumann Standard WN</i>
STRAUMANN	ANSIN032	Análogo Straumann Synocta RN Sinergia <i>Analog for Straumann Synocta RN</i>
STRAUMANN	ANSIN033	Análogo Straumann Synocta WN Sinergia <i>Analog for Straumann Synocta WN</i>
STRAUMANN	ANSIN105	Análogo Straumann Bone Level NC Sinergia <i>Analog for BONE LEVEL NC</i>
STRAUMANN	ANSIN106	Análogo Straumann Bone Level RC Sinergia <i>Analog for BONE LEVEL RC</i>
STRAUMANN	ANSIN041	An. Straumann Bone Level Multibase 4.5 Sinergia <i>An. for Straumann Bone Level 4.5</i>
STRAUMANN	ANSIN042	An. Straumann Bone Level Multibase 6.5 Sinergia <i>An. for Straumann Bone Level 6.5</i>
STRAUMANN	ANSIN079	An. Straumann Bone Level Multibase 3.5 Sinergia <i>An. for Straumann Bone Level 3.5</i>
SWEDEN&MARTINA	ANSIN068	An. S&M Premium/Kohno 3.3 Sinergia <i>Analog for S&M Pre/Koh 3.3</i>
SWEDEN&MARTINA	ANSIN069	An. Sweden&Martina Premium/Kohno 3.8 Sinergia <i>Analog for S&M Pre/Koh 3.8</i>
SWEDEN&MARTINA	ANSIN070	An. Sweden&Martina Premium/Kohno 4.25 Sinergia <i>Analog for S&M Pre/Koh 4.25</i>
SWEDEN&MARTINA	ANSIN071	An. Sweden&Martina Premium/Kohno 5.0 Sinergia <i>Analog for S&M Pre/Koh 5.0</i>
SWEDEN&MARTINA	ANSIN074	An. S&M Premium/Kohno Abut. 3.3 Sinergia <i>Analog for S&M Pre/Koh 3.3 Abut 3.3</i>
SWEDEN&MARTINA	ANSIN075	An. S&M Premium/Kohno Abut. 3.8 Sinergia <i>Analog for S&M Pre/Koh 3.3 Abut 3.8</i>
SWEDEN&MARTINA	ANSIN076	An. S&M Premium/Kohno Abut. 4.25 Sinergia <i>Analog for S&M Pre/Koh 3.3 Abut 4.25</i>
SWEDEN&MARTINA	ANSIN077	An. S&M Premium/Kohno Abut. 5.0 Sinergia <i>Analog for S&M Pre/Koh 3.3 Abut 5.0</i>
SWEDEN&MARTINA	ANSIN078	Análogo Sweden&Martina PAD 5.0 Sinergia <i>Analog for Sweden&Martina PAD 5.0</i>
ZIMMER DENTAL	ANSIN061	Análogo Zimmer Dental Screw Vent 3.5 Sinergia <i>Analog for Zimmer Screw-Vent 3.5</i>
ZIMMER DENTAL	ANSIN062	Análogo Zimmer Dental Screw Vent 4.5 Sinergia <i>Analog for Zimmer Screw-Vent 4.5</i>
ZIMMER DENTAL	ANSIN108	Análogo Zimmer Dental Screw Vent 5.6 Sinergia <i>Analog Zimmer Screw-Vent 5.6</i>

CATSTI_rev002_20181010

Phibo® HQ

Pol. Ind. Mas d'en Cisa
Gato Pérez, 3-9
08181 Sentmenat, Spain
T: +34 937 151 958
F: +34 937 153 997

 phibo.com

 store.phibo.com

phibo®